



Datenblatt - Fiche technique - Data sheet

11.02.8902



ROLINE GOLD USB 3.0 Kabel, Typ A-B, 1,8m

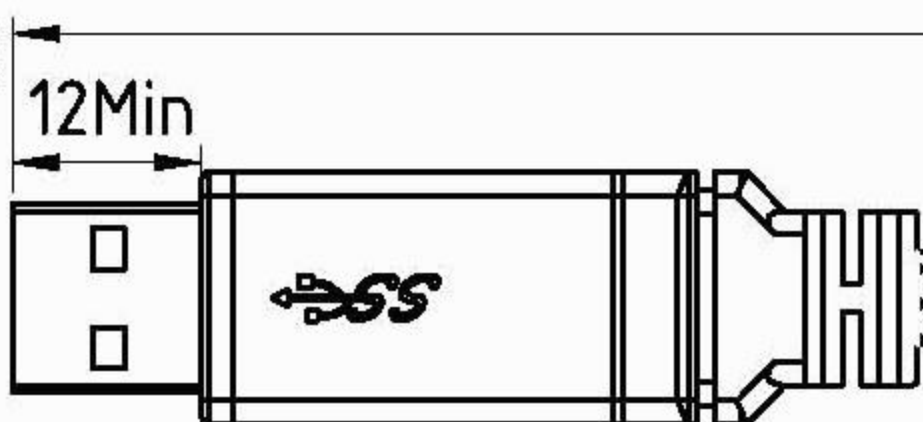
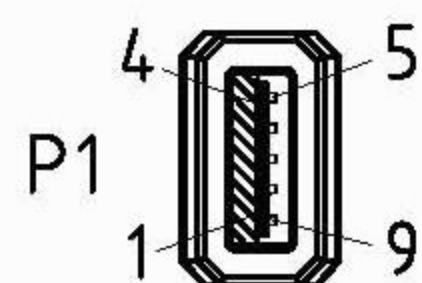
ROLINE GOLD Câble USB 3.0, type A mâle - B mâle, 1,8m

ROLINE GOLD USB 3.0 Cable, A - B, M/M, 1.8 m

ROHS-COMPLIANT

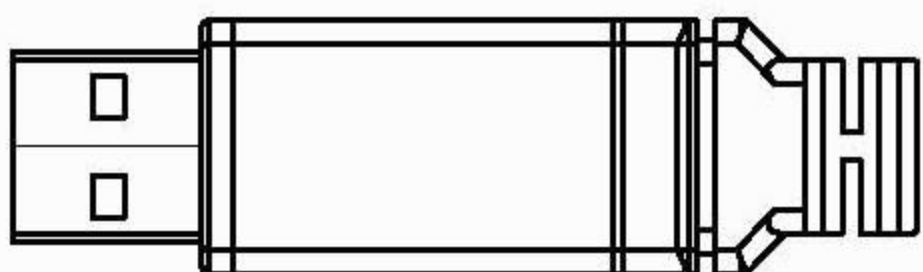
LTR	REV.	DESCRIPTION	DATE

USB 3.0 A/M 9PIN
INS:BLUE(P.T 300C)

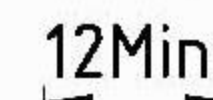
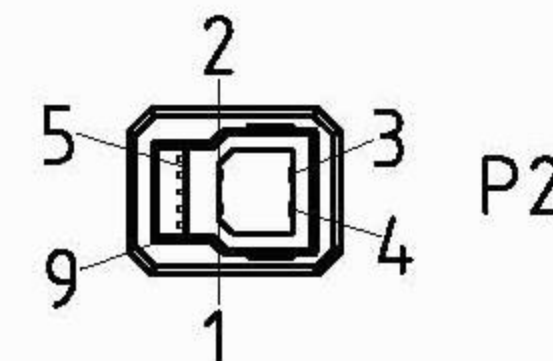


L±T

NYLON BRAID COLOR:GOLD/BLACK BASE
(LZNLW006)



USB 3.0 B/M 9PIN
INS:BLUE(P.T 300C)



NOTE:

1.CABLE: UL-2725 [#28(7/0.127 T.C)×1P INS:Foam-PE+D.W(7/0.127 T.C)
+AL/MY+Hot-melt-Mylar]×2C+#28(7/0.127 T.C)×1P INS:Polyolefin
+#28(7/0.127 T.C)×2C INS:Polyolefin+AL/MY+B.D(85%)
PVC JACKET; OD:5.2±0.15mm COLOR:BLACK(NK-K01) REV 3.0.

2.CONNECTOR:

P1: USB 3.0 A TYPE MALE 9PIN CONTACT:30u",GOLD PLATED(1.8u")SHELL.

P2 :USB 3.0 B TYPE MALE 9PIN CONTACT:30u",GOLD PLATED(1.8U')SHELL.

3.HOOD:P1 & P2:ASS'Y TYPE,ALUMINUM HOOD GOLD PLATED.

P1 & P2 SR:MOLDED TYPE,PVC 45P,COLOR:BLACK(NK-K01)

4.ELECTRICAL TEST:

(1)100% OPEN SHORT & MIS WIRE TEST.

(2)CONTACT RESISTANCE 3 ohm Max .

(3)INSULATION RESISTANCE 10M ohm Min .

5.PACKING: EACH PC / POLYBAG+BIG HEADER CARD+BAR CODE LABEL.

P1		PIN OUT	P2	
1	—	RED	1	PWR
2	—	WHITE	2	UTP_D-
3	—	GREEN	3	UTP_D+
4	—	BLACK	4	GND_PWRr†
5	—	BLUE	5	SDP1-
6	—	YELLOW	6	SDP1+
7	—	D.W	7	SDP1_Drain & SDP2_Drain
8	—	PURPLE	8	SDP2-
9	—	ORANGE	9	SDP2+
SHELL		B.D	SHELL	

Tolerance	Inch	M/M
.X	.015	.30
.XX	.010	.10
.XXX	.005	.05

ROTRONIC CO., LTD.

ROLINE Gold USB 3.0 Cable, A M / B M

11.02.8902 (1.8m) & 11.02.8903 (3.0m)

App'd			
Scale	NONE	Units	M/M
Dwg No.	170-4020	REV:A	Sheet.1/1

170-4020-2	11.02.8903	3000	30	10	20
170-4020-1	11.02.8902	1800	30	10	40
DWG	P/N	L(mm)	T(mm)	PCS/INNER CARTON	PCS/CARTON